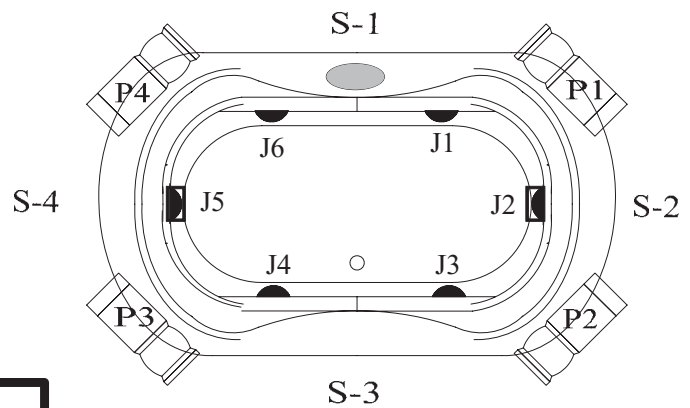
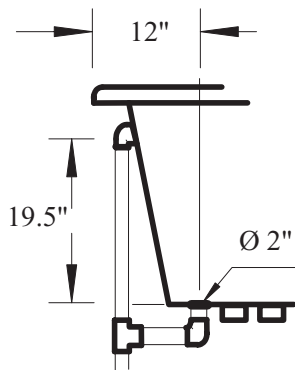
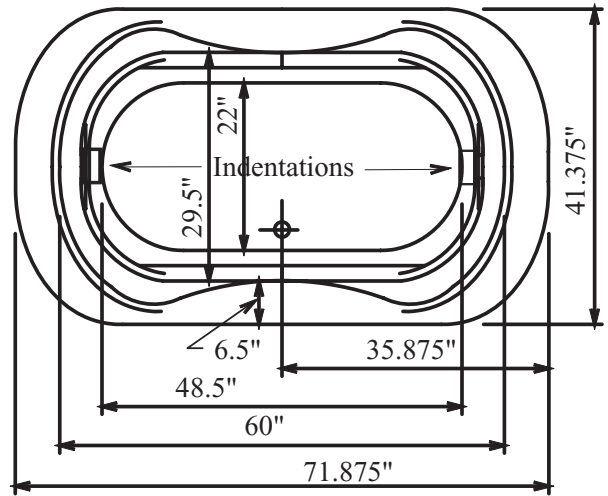
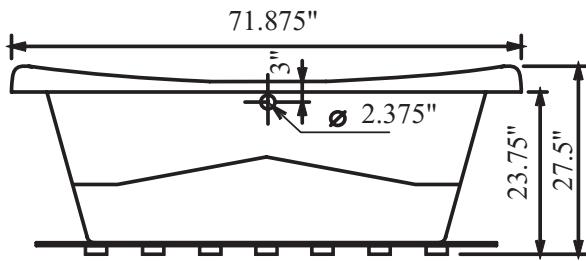


# SPECIFICATIONS

## VENICE 7242D

Model #2-7242-1



All pump positions extend beyond the perimeter of the tub deck.

### Back Jet Package Meridian



**NOTES:**

Combination System - Blower positioned opposite end of pump

Requires dedicated GFCI circuit  
Motor / Pump : 120 VAC, 20AMP, 60 Hz

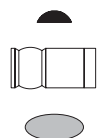
Control placement: Centered on side S-1 with any pump location

Skirt is NOT available

If tub equipped with Air System Add 1.5" to tub height

80 Min - 100 Max Gallon Capacity

**Dimensional Variance +/- 1/2 "**  
**Suggested Pump Access Panel:**  
**20" Long x 12" High**



Water Jet Locator

Blower/Pump Locations

Control Panel

S-1

Side Identifier



Air Jet Placement